

Technical data sheet



Product features

Cooking range solid top gas 3x burner on open cabinet

Model	SAP Code	00018738
--------------	-----------------	----------



- Device type: Gas unit
- Power consumption of the zone 1 [kW]: 6,6
- Power consumption of the zone 2 [kW]: 4
- Power consumption of the zone 3 [kW]: 8,5
- Ignition: Piezo+večný plamen
- Protection of controls: IPX4
- Material: AISI 304 top plate and cladding

SAP Code	00018738	Type of gas	Natural gas, propane butane
Net Width [mm]	800	Number of zones	3
Net Depth [mm]	700	Power consumption of the zone 1 [kW]	6,6
Net Height [mm]	900	Power consumption of the zone 2 [kW]	4
Net Weight [kg]	83.50	Power consumption of the zone 3 [kW]	8,5
Power gas [kW]	19.100		

Technical data sheet



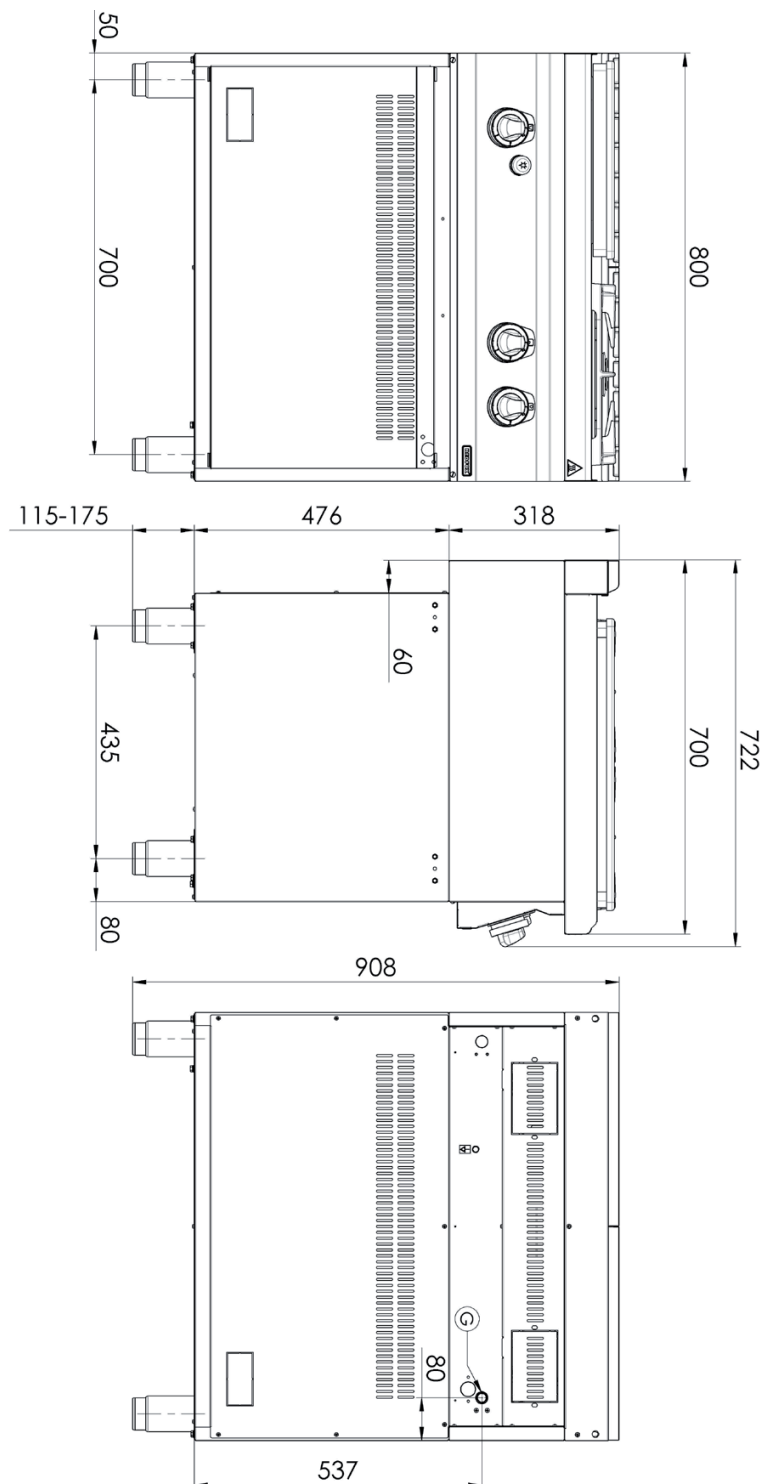
Technical drawing

Cooking range solid top gas 3x burner on open cabinet

Model

SAP Code

00018738



Technical data sheet



Technical parameters

Cooking range solid top gas 3x burner on open cabinet

Model

SAP Code

00018738

1. SAP Code:

00018738

2. Net Width [mm]:

800

3. Net Depth [mm]:

700

4. Net Height [mm]:

900

5. Net Weight [kg]:

83.50

6. Gross Width [mm]:

860

7. Gross depth [mm]:

820

8. Gross Height [mm]:

1079

9. Gross Weight [kg]:

97.00

10. Device type:

Gas unit

11. Construction type of device:

With substructure

12. Power gas [kW]:

19.100

13. Ignition:

Piezo+večný plamen

14. Type of gas:

Natural gas, propane butane

15. Protection of controls:

IPX4

16. Exterior color of the device:

Stainless steel

17. Material:

AISI 304 top plate and cladding

18. Indicators:

operation and warm-up

19. Worktop material:

AISI 304

20. Worktop Thickness [mm]:

1.20

21. Number of zones:

3

22. Power consumption of the zone 1 [kW]:

6,6

23. Power consumption of the zone 2 [kW]:

4

24. Power consumption of the zone 3 [kW]:

8,5

25. Safety thermocouple:

Yes

26. Adjustable feet:

Yes

27. Number of burners/hot plates:

3

28. Type of gas cooking zones:

Fire protection to install + Classic burners

Technical data sheet



Technical parameters

Cooking range solid top gas 3x burner on open cabinet

Model	SAP Code	00018738
--------------	-----------------	----------

29. Burner type:

Brass, detachable